

# Configuration Support Legs



Company: \_\_\_\_\_

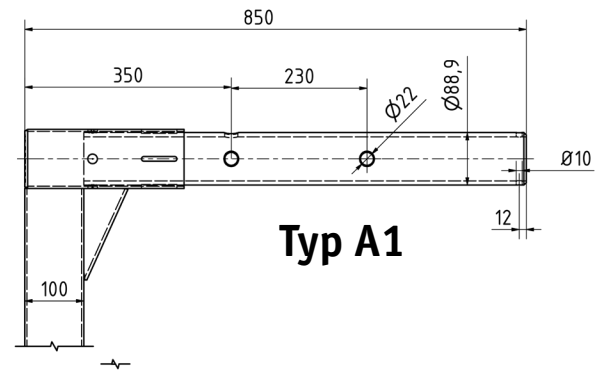
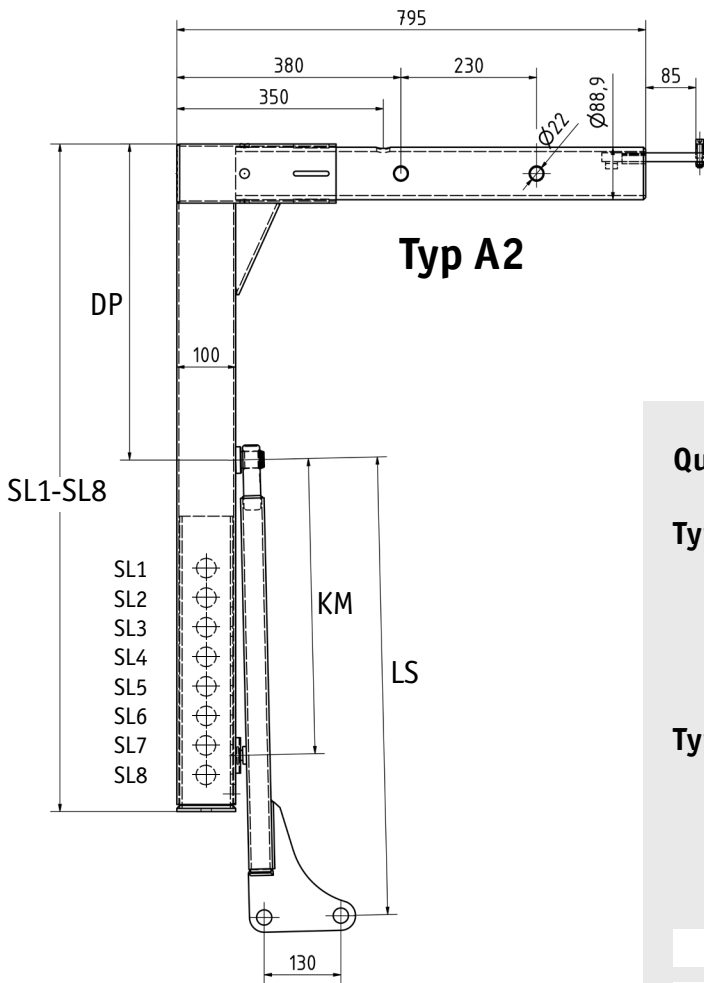
Name: \_\_\_\_\_

Street: \_\_\_\_\_

Post Code, Place: \_\_\_\_\_

E-mail: \_\_\_\_\_

Phone: \_\_\_\_\_



**Quantity:**

**Typ A2**

rigid     adjustable by pin

with undetachable telescopic part

adjustable by „Telematic“

**Typ A1**

rigid     adjustable by pin

with undetachable telescopic part

adjustable by „Telematic“

primed (black)     hot-dip galvanised

lacquered (please specify RAL colour):

SL 1*	<input type="text"/>	SL 2*	<input type="text"/>	SL 3*	<input type="text"/>	SL 4*	<input type="text"/>
SL 5*	<input type="text"/>	SL 6*	<input type="text"/>	SL 7*	<input type="text"/>	SL 8*	<input type="text"/>

\* from upper edge of support leg to lower edge / base plate in parking position.

**Strut:**  without brake     with brake

**Pivot:**     **Button Distance (KM):**     **Strut Length (LS)\*:**

Swap body manufacturer (for spare parts order):