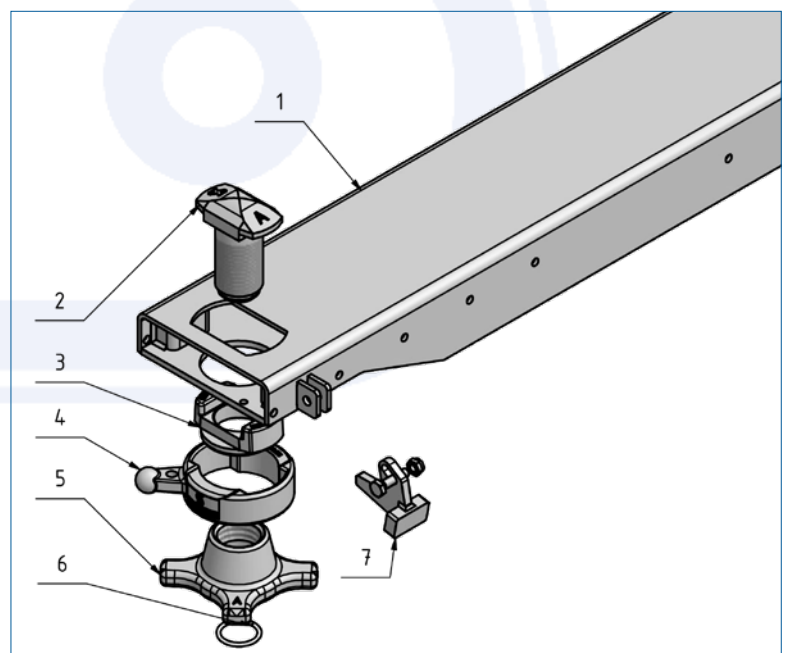
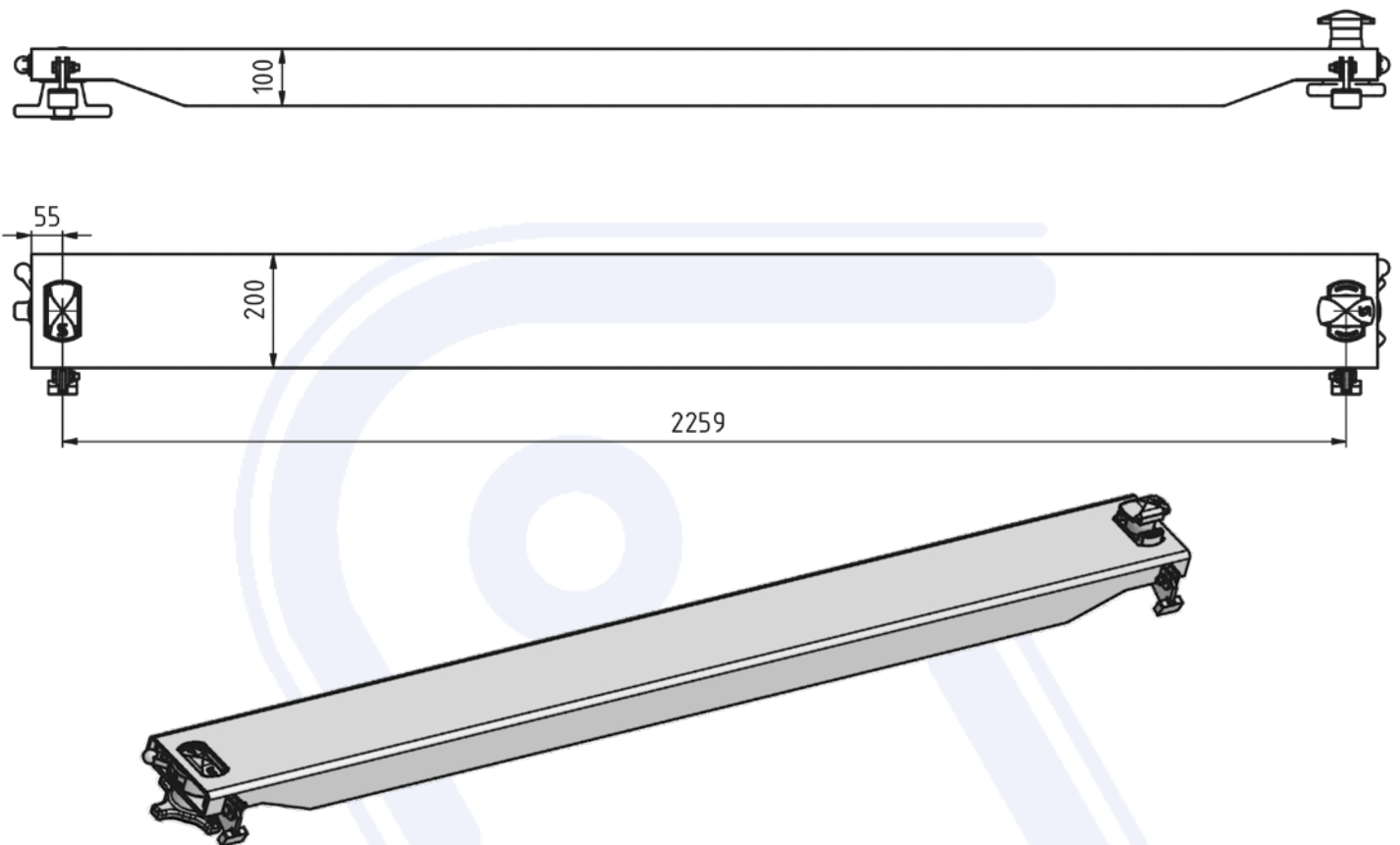


# Swap body bolster rigid 200 x 100



- > steel raw
- > integrated twist locks (inner parts 410.075.620)
- > 1 twist lock on each side
- > bolster 100 mm high
- > weight 80 kg

Art.-No. 410.080.100



Pos.	Single part	Art.-No.
1	Bolster	410.080.102
2	Locking pin	906.000.276
3	Locking pin guide	906.000.273
4	Outer guide	906.000.274
5	Locking nut	906.000.275
6	Security ring	905.000.187
7	Security latch	905.159.035