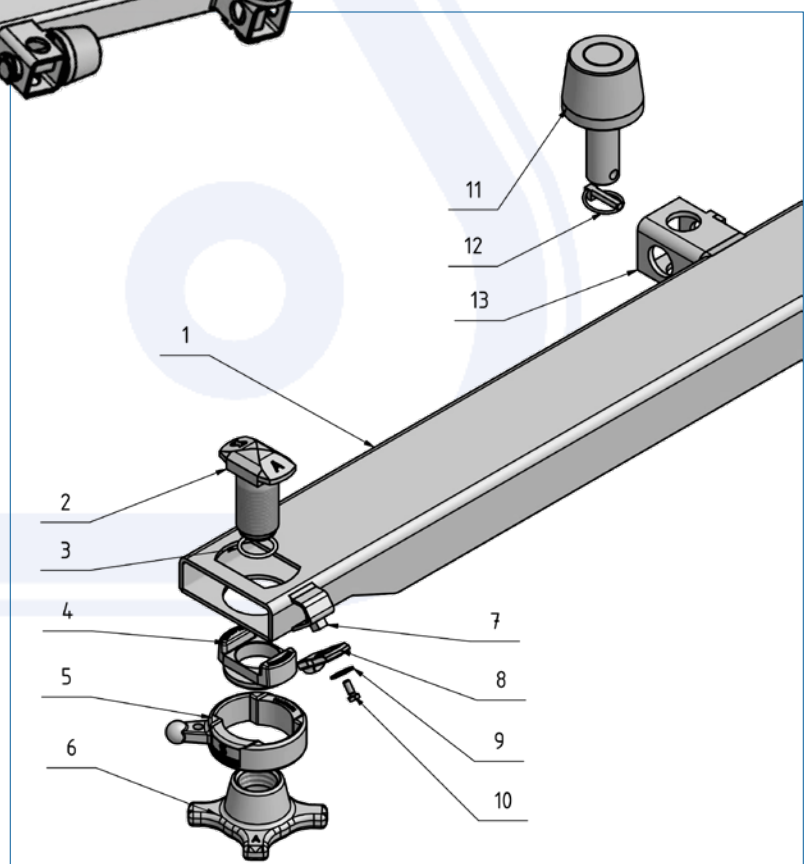
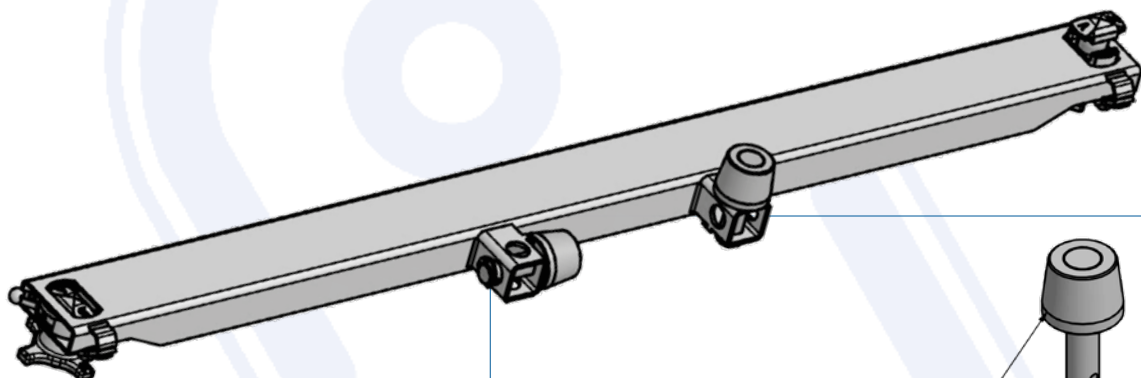
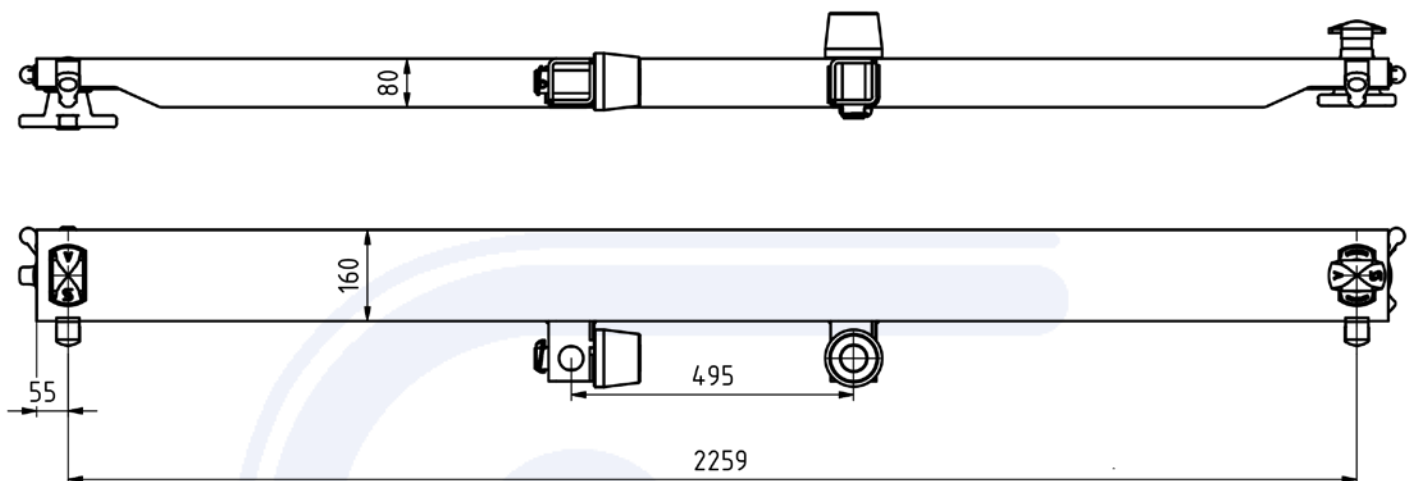


Swap body bolster rigid 160 x 80



- > steel raw
- > 1 twist lock on each side (*inner parts 410.075.620*)
- > **with 2 guide rollers** and welded holder for guide rollers
- > bolster 80 mm high
- > weight 78 kg

Art.-No. 410.076.500



Pos.	Spare part	Art.-No.
1	Bolster	410.076.102
2	Locking pin	906.000.276
3	Security ring	905.000.187
4	Locking pin guide	906.000.273
5	Outer guide	906.000.274
6	Locking nut	906.000.275
7	Holder f. security latch	905.159.006
8	Security latch	905.159.005
9	Washer	906.036.005
10	Screw	020.008.016
11	Guide roller /85	640.003.110
12	Folding pin	640.003.112
13	Holder f. guide roller	640.003.005