

NEWS



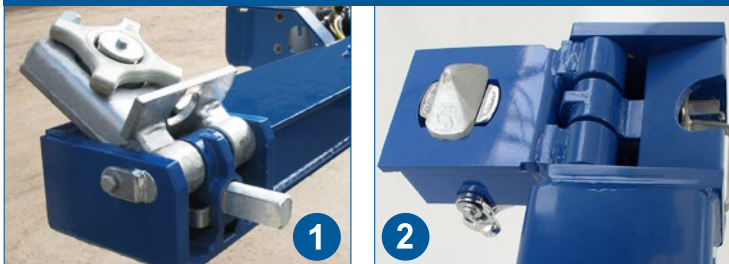
Rapid information for our customer

Collapsible twist locks: Effortless security!

Schneider's **collapsible twist locks** deliver a reliable solution for fast, easy, and secure front-end locking of ISO containers - with or without tunnels - in daily intermodal operations.

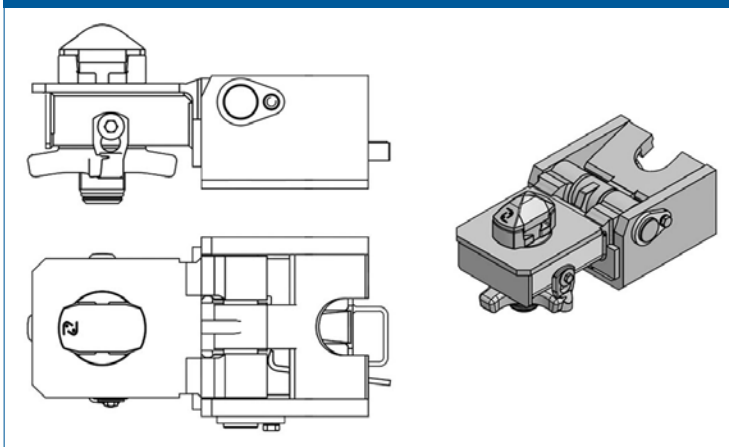


Truly secure. Simply better.



- > for 40' or 45' containers, **use the front pin** (with the lock folded up) **1**
- > 40' and 20' standard containers **via the collapsible twist lock** **2**

Low life-cycle costs



- > **combined twist locks** for front mounting on gooseneck chassis
- > highly standardized, available in fixed or lowerable versions (right- and left-hand side)
- > galvanized **inner parts** - also **available** separately **for maintenance**
- > **housing** available in a **raw** finish for custom painting or **hot dip galvanised**

You can find the technical specifications for the various types of collapsible locks, as well as for rigid, fully retractable, and height-adjustable twist locks, at www.schneider-fc.com. We would be happy to advise you on these, as well as on custom designs.