

An information about Schneider agricultural devices

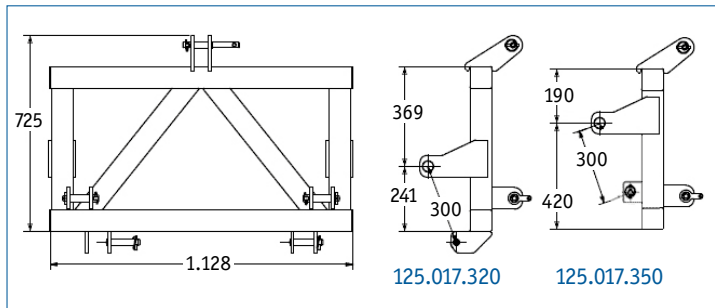
## Three-point adapter and Euro adapter Better use of devices!

Given the rise in input prices, it is particularly important for farms today to operate cost-efficiently.

Matching adapters allow existing devices to be used rationally with the available tractors and loaders.



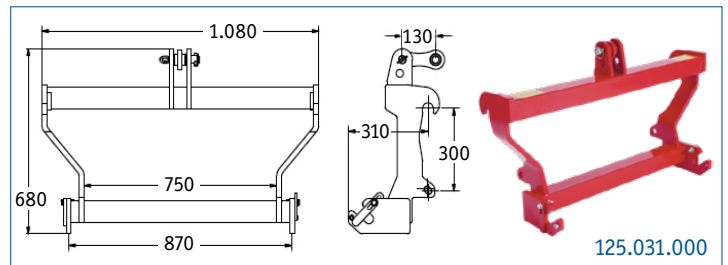
With the **Schneider three-point adapter**, devices with Euro bracket (for front loader) such as bale or manure forks, buckets, etc. can be used on the rear hydraulics of the tractor. Older tractors without front loaders can also still be used.



Three-point-adapter Cat. 2	Version	Pick-up height	Load capacity	Weight approx.
125.017.320	standard	120 mm	1,000 kg	70 kg
125.017.350	for small tractors	300 mm	1,500 kg	70 kg



The **Schneider Euro adapter** made of higher strength steel offers the possibility to effectively drive existing devices with Cat. 2 three-point intake on the front loader with Euro bracket.



The lockable lower three-point brackets and the adjustable upper three-point brackets ensure the safe handling of the devices.

The **Euroadapter Basis** is suitable for welding on wheel loader brackets. The lower three-point brackets are adjustable from 780 - 1,100 mm.



Euro adapter Cat. 2	Version	Load capacity	Weight approx.
125.031.000	standard	1,000 kg	50 kg
125.031.300	f. wheel loader brackets	1,000 kg	50 kg